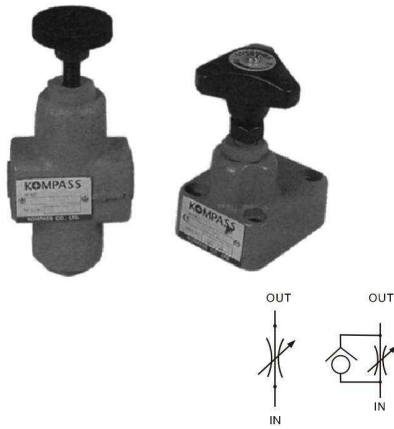


THROTTLE VALVES (WITH CHECK VALVES)

SR(C)G、SR(C)T TYPE

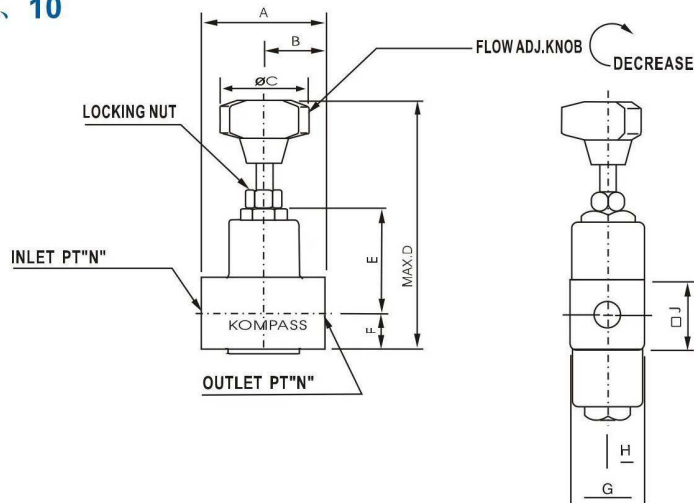


■ FEATURE:

1. There is restrictor (throttle) in fluid line to restrict passage diameter and to adjust flow rate. Flow changes depending upon pressure difference of input and output pressure, produce at a restrictor.
2. These valves are combined with non-return check valves to form throttle with reverse free flow and without restriction.
3. Mounting surface of subplate type is made to ISO 5781 standard.

Dimensions

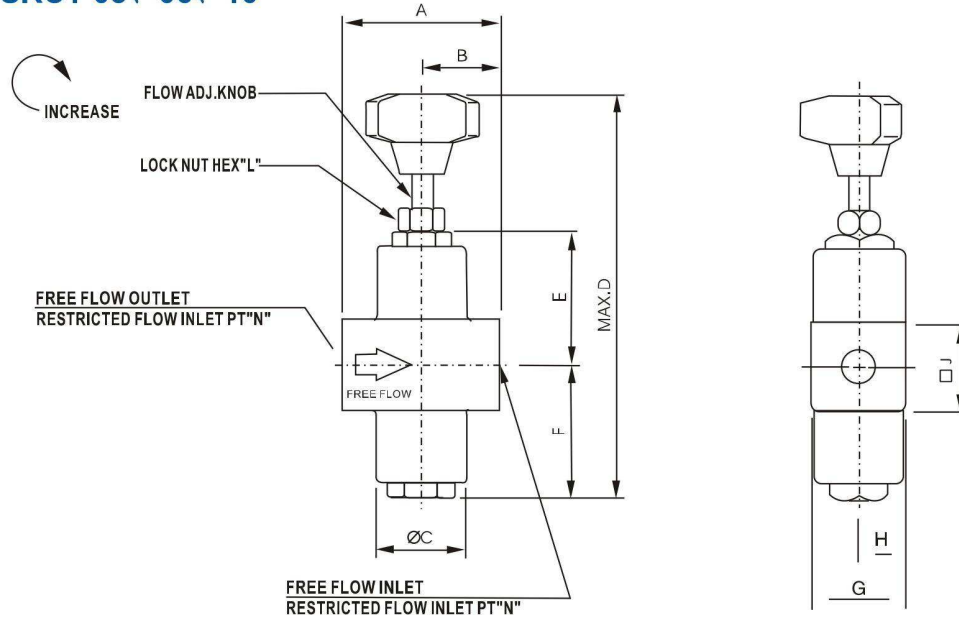
SRT-04、06、10



MODEL	A	B	C	D	E	F	G	H	J	L	N
SRT-04	70	35	40	143	54	23	42	20	40	19	1/2"
SRT-06	100	50	40	136.5	62	30	62	30	60	19	3/4"
SRT-10	130	65	56	173	73	40	82	40	80	22	1 1/4"

Dimensions

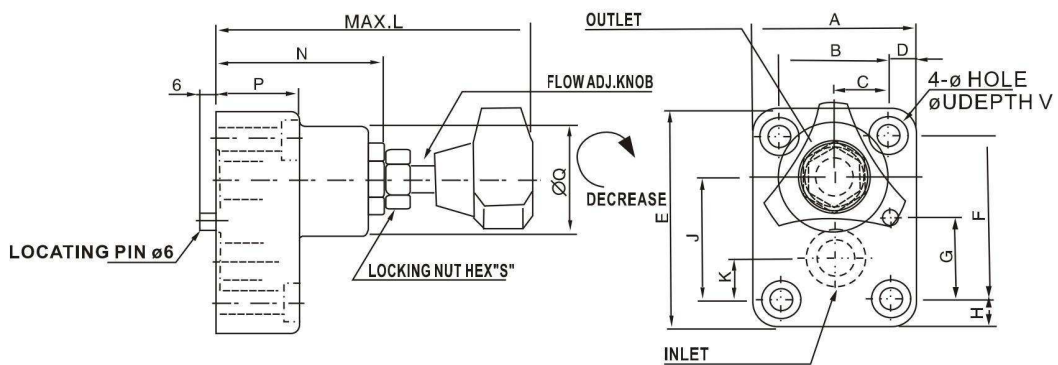
SRCT-03、06、10



MODEL	A	B	C	D	E	F	G	H	J	L	N
SRCT-03	70	35	40	180	62.5	58	42	21	40	19	3/8"
SRCT-06	100	50	60	215	83	65	62	31	60	19	3/4"
SRCT-16	130	65	80	228	106	77	82	41	80	22	1 1/4"

SRG-03、06、10

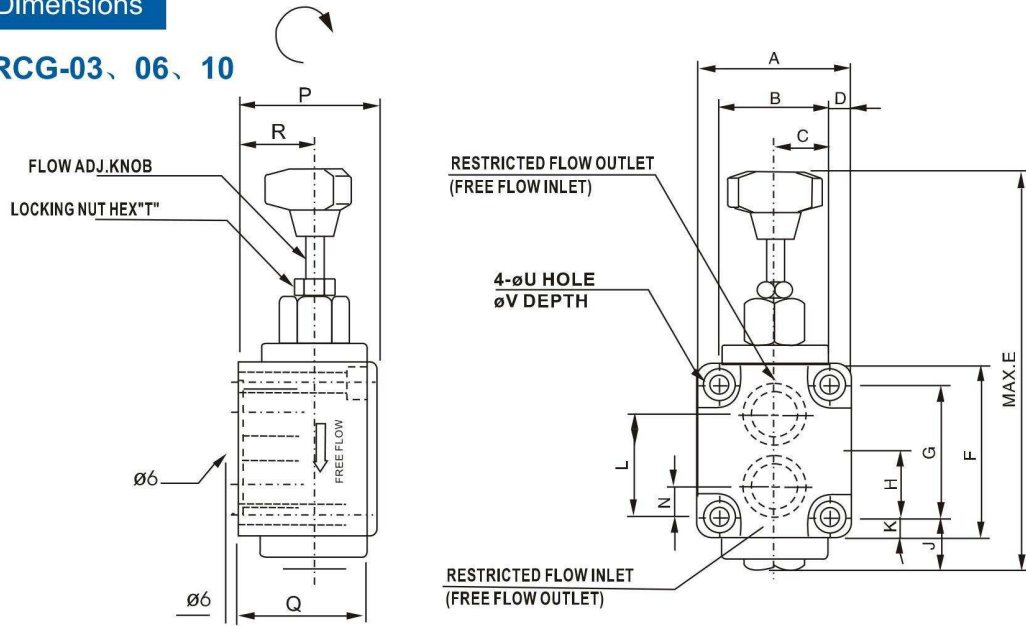
Mounting Surface : ISO 5781 standard



MODEL	A	B	C	D	E	F	G	H	J	K	L	N	P	Q	S	T	U	V
SRG-03	60	40	20	10	80	60	30	10	45	15	100	65	30	44	19	9	14	8.6
SRG-06	80	58	29	11	92	70	35	11	54	16	117.5	73	42	41.5	23	11	17.5	10.8
SRG-10	100	72	36	14	120	92	46	14	71	21	145	100	55	56	23	13.5	21	1.0

Dimensions

SRCG-03、06、10



MODEL	A	B	C	D	E	F	G	H	J	K
SRCG-03	60	40	20	10	179	80	60	30	28	10
SRCG-06	80	58	29	11	213	95	70	35	30	11
SRCG-10	100	72	36	14	228	120	92	46	31	14

MODEL	L	N	P	Q	R	T	U	V	W
SRCG-03	45	15	48	40	35	19	8.8	14	8.6
SRCG-06	54	16	74	68	40	19	11	17.5	10.8
SRCG-10	71	21	97	82	50	22	14	21	1