

MP23 series

DIGITAL PRESSURE GAUGE



Features

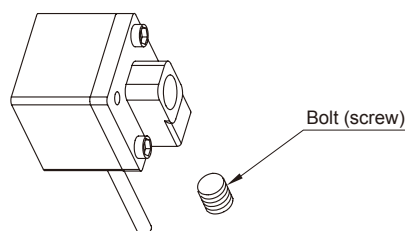
- Digital display, easy readout.
- Pressure range: Compound -100~100 kPa
Positive 0~1 MPa.
- High accuracy and Resolution.
- Programmable pressure unit: kPa, MPa, kgf/cm², bar, psi, inHg, mmHg, mmH₂O.
- Low cost.

Specification

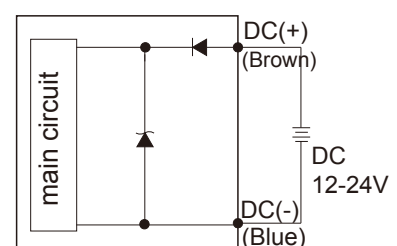
Model		MP23C (Compound)	MP23P (Positive)
Operating pressure range		-100.0~100.0 kPa	- 0.100 ~ 1.0 MPa
Allowable pressure		300 kPa	1.5 MPa
Fluid		Filtered air, Non-corrosive / Non-flammable gas	
Set pressure resolution	kPa / MPa	0.1 / -	- / 0.001
	kgf/cm ² / bar	0.001	0.01
	psi	0.01	0.1
	inHg	0.1	-
	mmHg	1	-
	mmH ₂ O	0.1	-
Power supply voltage		12 to 24V DC ±10%, Ripple (P-P) 10% or less	
Current consumption		≤ 55mA	
7 segment LED display		3 1/2 digit LED display (Sampling rate: 5 times/1sec.)	
Indicator accuracy		≤±2% F.S. ±1 digit (ambient temperature: 25 ± 3°C)	
Environment	Enclosure	IP40	
	Ambient temp. range	Operation: 0 ~ 50°C, storage : -20 ~ 60°C (No condensation or freezing)	
	Ambient humidity range	Operation/Storage: 35 ~ 85% RH (No condensation)	
	Withstand voltage	1000V AC in 1-min. (between case and lead wire)	
	Insulation resistance	50MΩ (at 500V DC, between case and lead wire)	
	Vibration	Total amplitude 1.5mm,10Hz-55Hz-10Hz scan for 1 minute, two hours each direction of X, Y and Z	
	Shock	980m/s ² (100G), 3 times each in direction of X, Y and Z	
Temperature characteristic		≤±2% F.S. of detected pressure (25°C) at temp. Range of 0~50°C	
Port size		F1: Rc1/8"; F2: NPT1/8"; F3: G1/8"(BSPP)	
Lead wire		Oil-resistance cable(0.15mm ²)	
Weight		Approx. 80 g (with 2 meter lead wire), Approx. 68 g (with M8 4Pin male connector)	

Installation

1. This product has two inlet pressure ports, select the one most convenient for installation.
2. Please plug the unused inlet port with supplied port plug. Use seal tape to prevent pressure leak.



Circuit wiring graph



MP23 Dimensions

DIGITAL PRESSURE GAUGE



Order example

MP23C – F1 – QD

MODEL

PRESSURE PORT

F1: Rc1/8" M1: R1/8"
 F2: NPT1/8" M2: NPT1/8"
 F3: G1/8" N1: R1/4"
 N2: NPT1/4" (Male thread)

CABLE LENGTH / CONNECTOR

Blank: With 2 meter cable
 QD: With M8, 4 Pin male connector

PRESSURE RANGE

C: Compound (–100.0~100.0 kPa)
 P: Positive (–0.10~1.00 MPa)

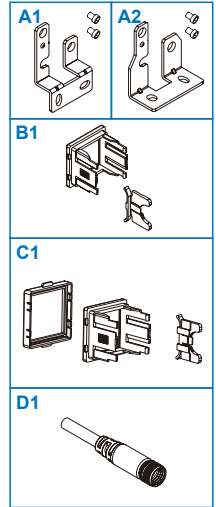
Mounting accessories (Option)

MP – A1

MODEL

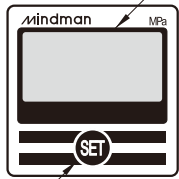
OPTION PARTS

A1: Mounting bracket
 A2: Mounting bracket
 B1: Panel adapter
 C1: Panel adapter + Front protective lid
 D1: M8 4Pin female connector



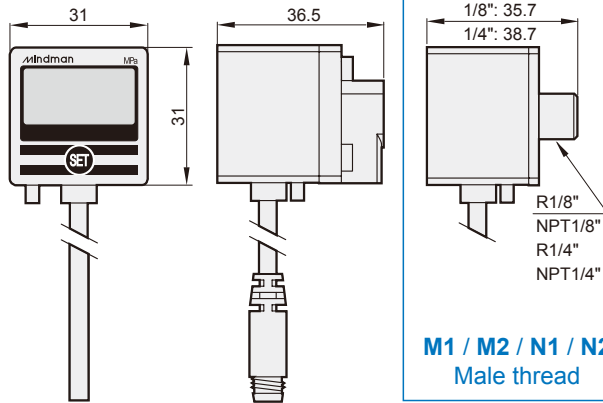
Panel instructions

3 1/2 digit LED display
 Display the measured Pressure value. Each set Content and error code.

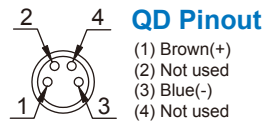


Zero & Unit setting button

Dimensions

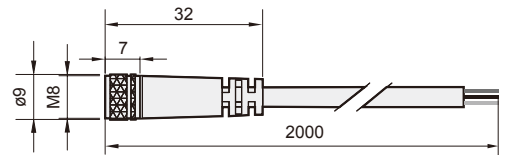


M1 / M2 / N1 / N2
 Male thread



Optional part dimensions

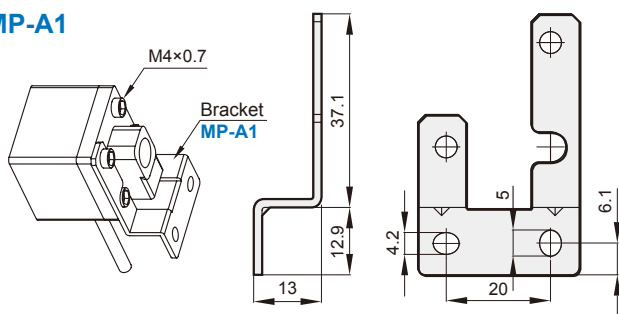
M8, 4 Pin female connector Model: MP-D1



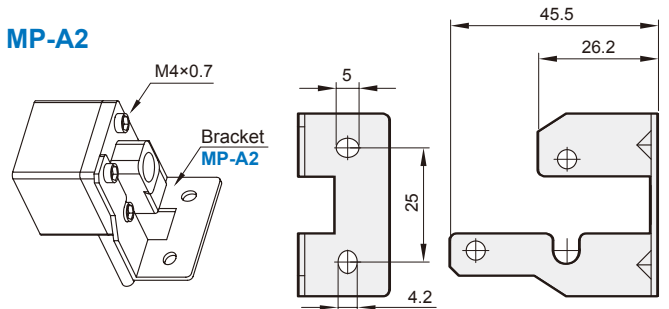
Mounting accessories

Mounting bracket

MP-A1

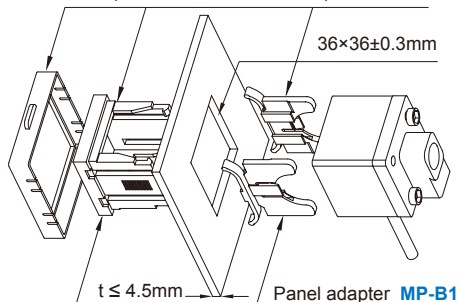


MP-A2

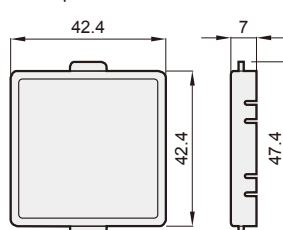


Panel type

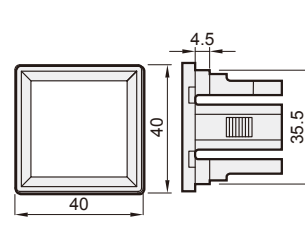
Front protective lid + Panel adapter MP-C1



Front protective lid



Panel adapter



Panel adapter

