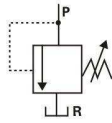


PILOT OPERATED RELIEF VALVES (Reinforced Type)

BHG SERIES



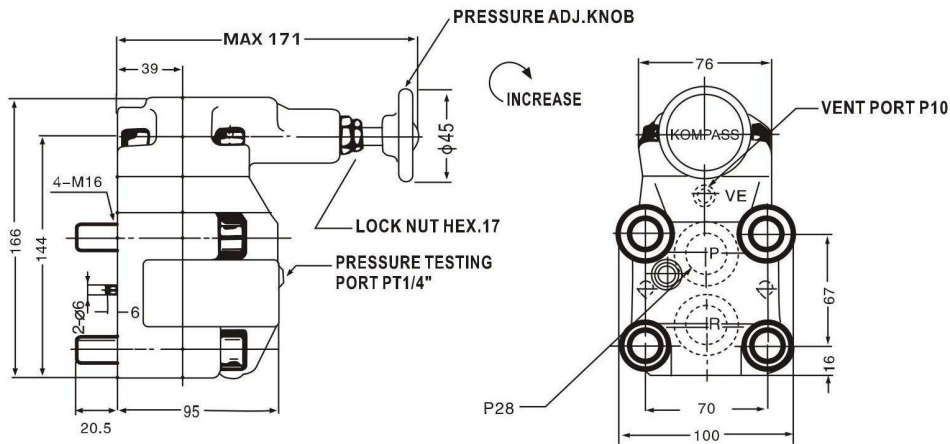
FEATURE:

1. This valve is able to preselect maximum pressure of pump and control valves, and prevent them to be damaged by over loaded pressure.
2. Vent port can be connected to DG(DT)-01 type to remotely control or unload system pressure.
3. Mounting surface is made to ISO 6264 standard.

Dimensions

BHG-06

Mounting Surface : ISO 6264 standard



PILOT OPERATED RELIEF VALVES (THREAD TYPE)

BHT SERIES

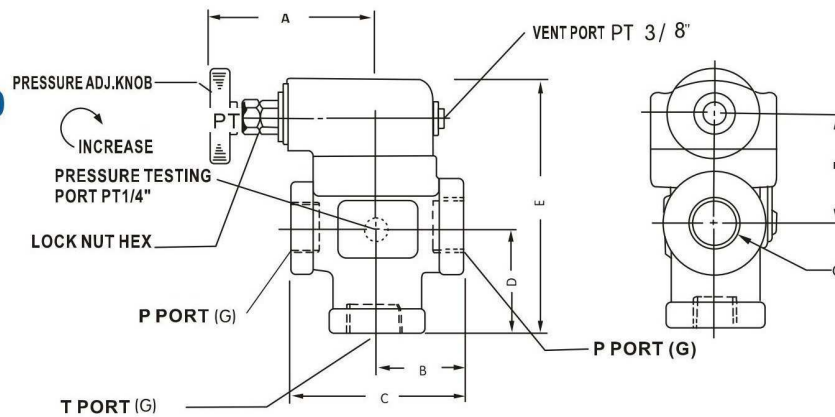


FEATURE:

- 1.This valve is able to preselect maximum pressure of pump and control valves, and prevent them to be damaged by over loaded pressure.
- 2.Vent port be connected to DG(DT)-01 type to remotely control or unload system pressure.

Dimensions

BHT-04、06、10



©REMARKS: PRESSURE ADJ-KNOB CAN BE 360° TURNED WITH 4 POSITIONS OPTIONALLY

MODEL	A	B	C	D	E	F	G
BHT-04	105	50	100	50	130	65	PT 1/2 "
BHT-06	105	51.5	103	54	130	65	PT 3/4 "
BHT-10	114	66	131.5	78	180	82	PT 1 1/4 "