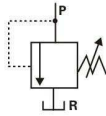


DIRECT OPERATED RELIEF VALVES (REMOTE CONTROL)

DG、DT-01、DG、DT-02 SERIES

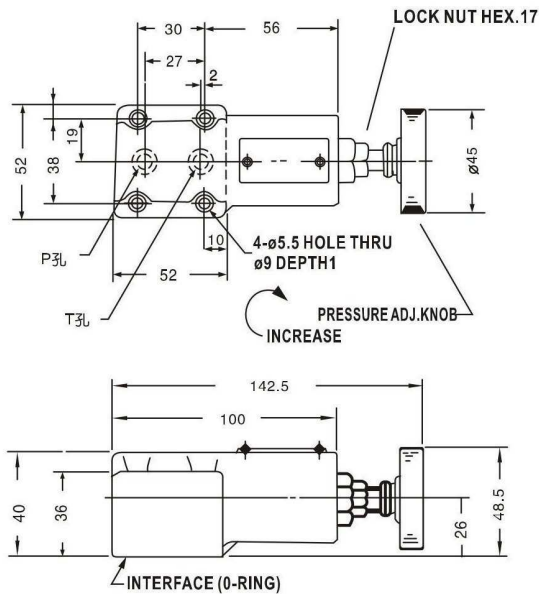


FEATURE:

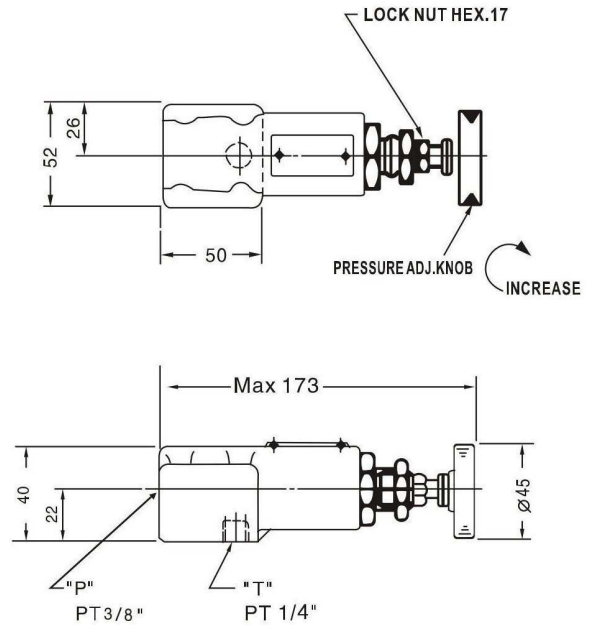
1. Direct operated type (DG-02 or DT-02) is made for maximum pressure adjustments of low flow rate system. It is also applied to safety valve.
2. Remote control type (DG-01 or DT-01) is connected to vent port of pilot. Operated relief valves BG(BT) , BHG(BHT) or SBG type, to become 2-stage, multi-stage or remote pressure controls.

Dimensions

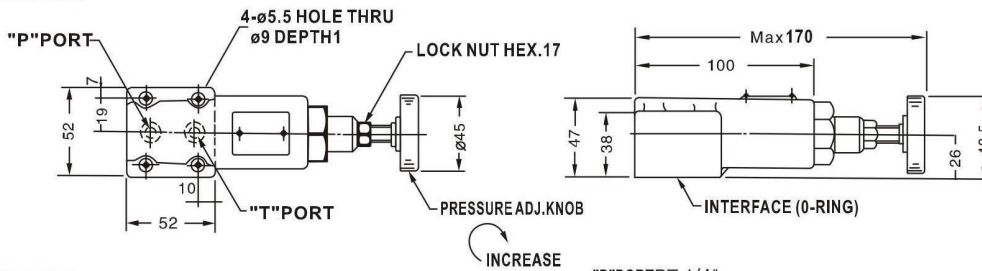
DG-01



DT-01



DG-02



DT-02

