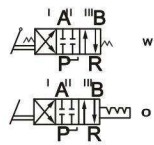


MANUAL DIRECTIONAL CONTROL VALVES

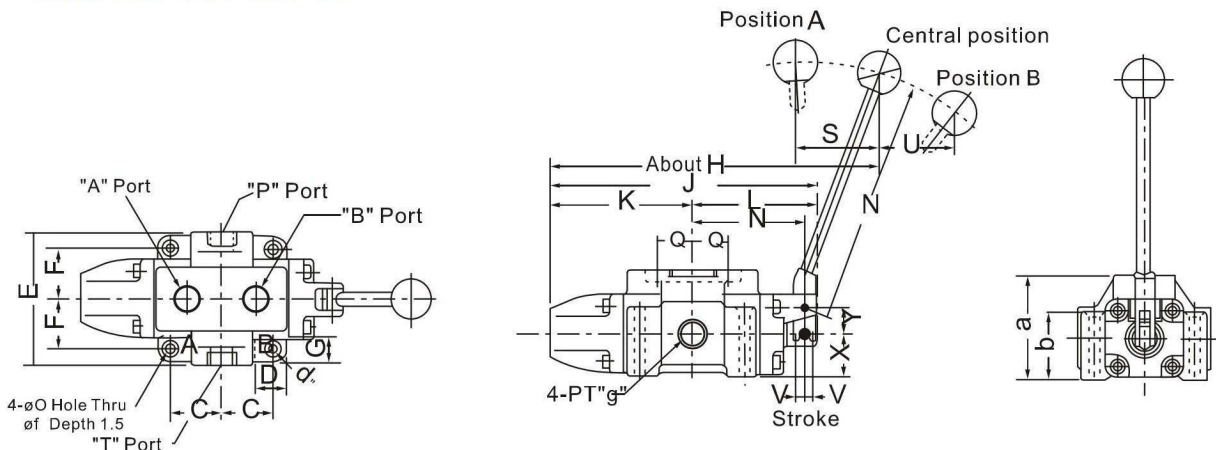
DMT-03、06、10

DMG-02、03、Series



Dimensions

DMT-03、04、06、10



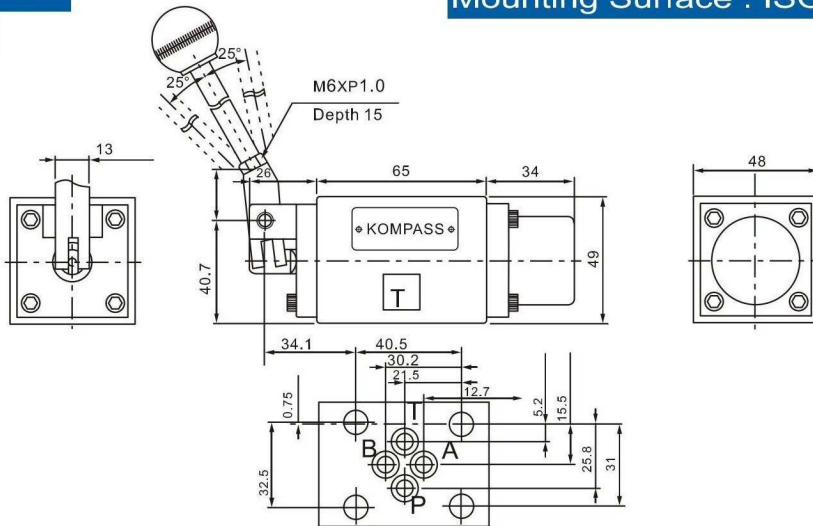
MODEL	C	D	E	F	G	H	J	K	L	N	Q
DMT-03	27	18	74	23	10	246	170	90	80	73.5	23
DMT-04	45	33	109	40.5	18	280	222	116	106	96	25
DMT-06	50	30	130	49	20	300	255	137	118	107	33.5
DMT-10	67	40	162	62.5	33	382	320	137	147	135	40

MODEL	S	U	V	X	Y	Z	a	b	d	e	f	g(PT)
DMT-03	46	42	5	41	22	200	84.5	74	6	6	-	3/8 "
DMT-04	75	60	10	37	19	240	90	55	9	9	14	1/2 "
DMT-06	60	70	9	40	25	270	100	65	12	11	17.5	3/4 "
DMT-10	70	70	12.5	50	35	295	124	82	15	13.5	21	1 1/4 "

Dimensions

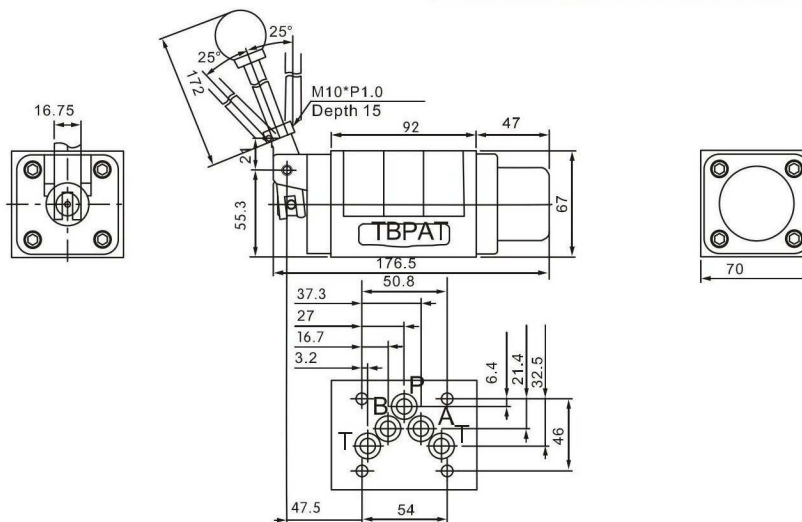
DMG- 02

Mounting Surface : ISO 4401 standard



DMG- 03

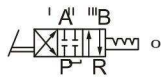
Mounting Surface : ISO 4401 standard



- 規格修改，本公司不另行通知
- Specification is subjected to change without notice.

MANUAL OPERATED DIRECTIONAL CONTROL VALVES

HV-03 Series



Feature:

The series is rotary type manual directional control valves using ball locking. The spool is controlled to shift flow directions of systems by manual handle.

How to order:

HV	-03	-3C2	-0
MODEL NO	VALVE SIZE	SPOOL TYPE	
Manual Directional Control Valves Hv thread type	03:10 valve size(3/8")	3C2 (only this)	O:with locking (only this)

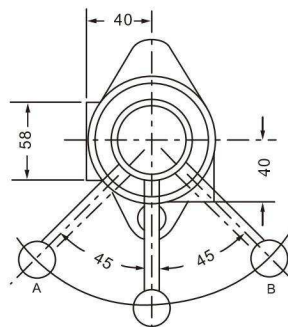
Specification:

MODEL	Max.flow d/min	Max pressure Mpa	Allow back pressure Mpa	Weight
HV-03	30	7	2	3

© Remarks: 1.HV-03-3C2-0 is only type for manual directional control valve
2.manual handle torque is changed depending on back pressurerationg.

Dimensions

HV-03



Central position

